

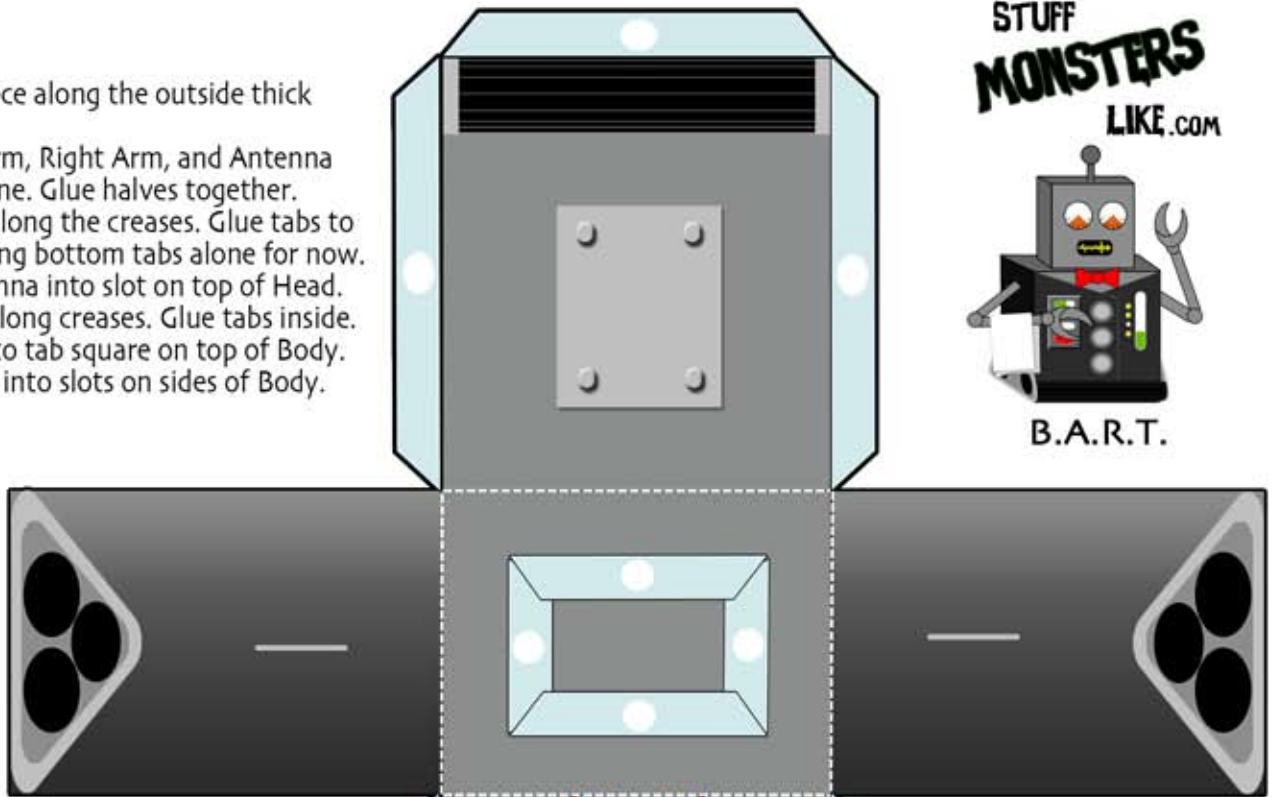
Directions:

1. Cut each piece along the outside thick black line.
2. Fold Left Arm, Right Arm, and Antenna on dotted line. Glue halves together.
3. Fold Head along the creases. Glue tabs to inside, leaving bottom tabs alone for now.
4. Insert Antenna into slot on top of Head.
5. Fold Body along creases. Glue tabs inside.
6. Glue Head to tab square on top of Body.
7. Insert Arms into slots on sides of Body.

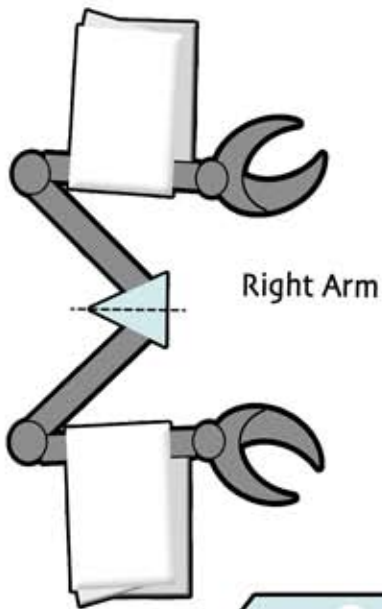
STUFF
MONSTERS
LIKE.COM



B.A.R.T.



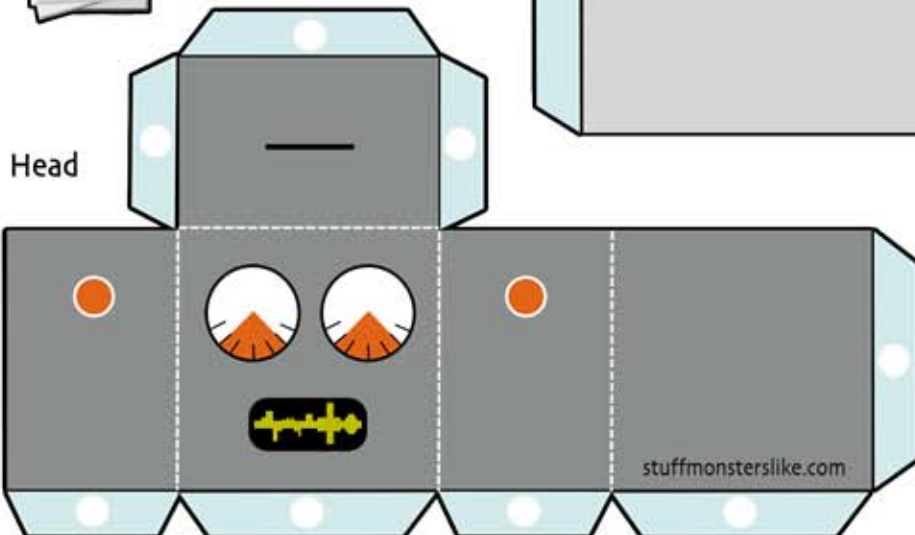
Body



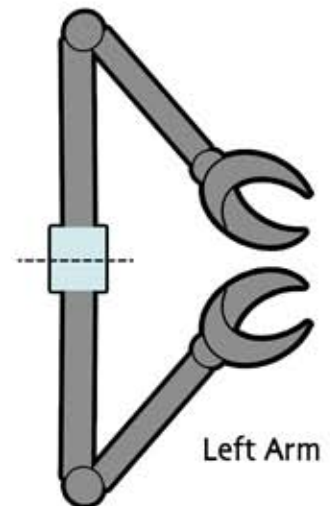
Right Arm



Antenna



Head



Left Arm